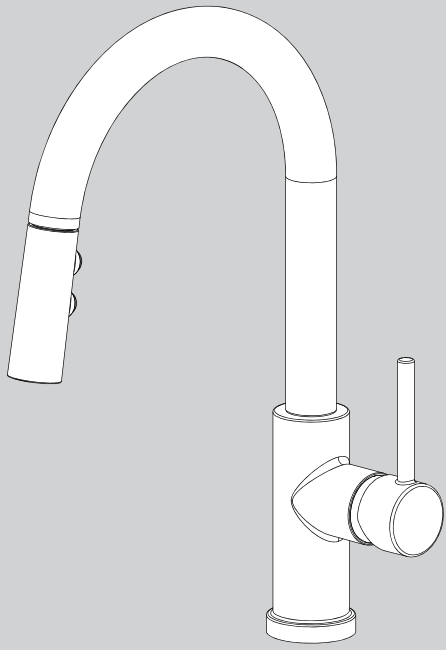


## INSTRUCTIONS FOR MODELS

SB-1042



### NEED HELP?

For additional assistance or service please contact:

**SPEAKMAN®**

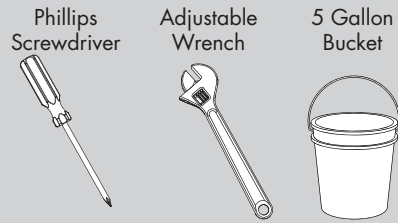
800-537-2107

customerservice@speakman.com

www.speakman.com

92-SB-1042-02

## TOOLS AND SUPPLIES



### HELPFUL TOOLS & SUPPLIES:



## IMPORTANT

- Do not over-tighten any connections or damage may occur.
- Be sure to read instructions thoroughly before beginning installation.
- This faucet has an operating range of 20-80 psi.

### SAFETY TIPS

Cover your drain to prevent loss of parts. Be sure to wear eye protection while cutting pipe.

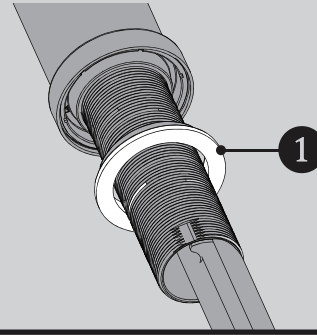
### MAINTENANCE

Your new Speakman Product is designed for years of trouble-free performance. Keep it looking new by cleaning it periodically with a soft cloth. The use of harsh chemicals and abrasives may damage the finish and void the product warranty. Please be sure to only use approved cleaners. Please contact Speakman for any clarification of acceptable cleaners.

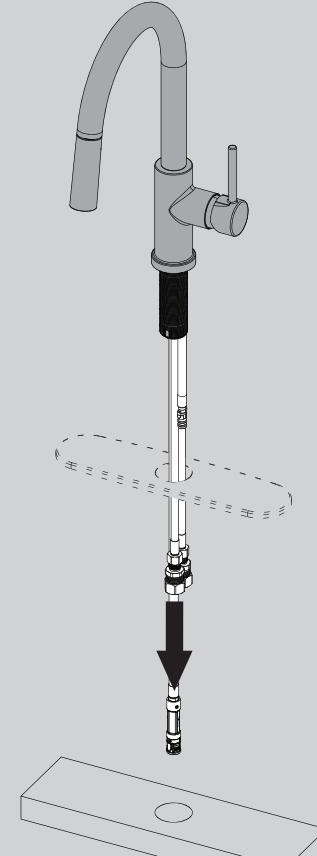
### WARRANTY

Warranty information can be found at: [www.speakman.com](http://www.speakman.com)

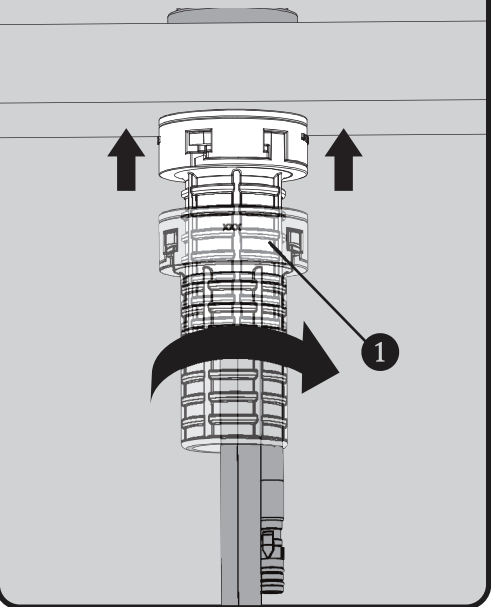
**1** Verify the Rubber Washer (1) is seated at the bottom of the Faucet. If not, place the Rubber Washer (1) over hoses and align to base of Faucet.  
**NOTE:** For single hole sink only.



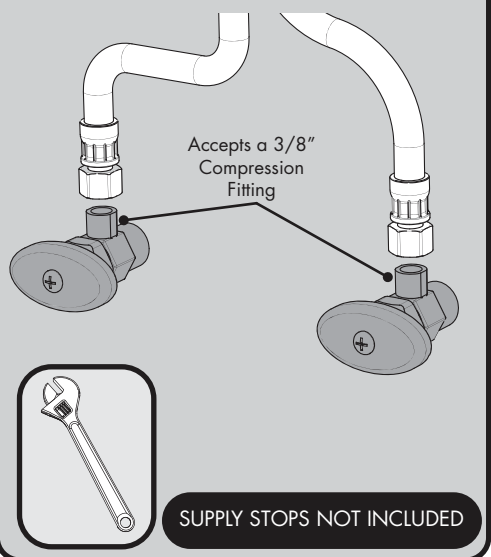
**2** Place Hoses, one at a time, thru hole in mounting surface. Lower Faucet into position. If installing optional deckplate, place hoses through deckplate first.



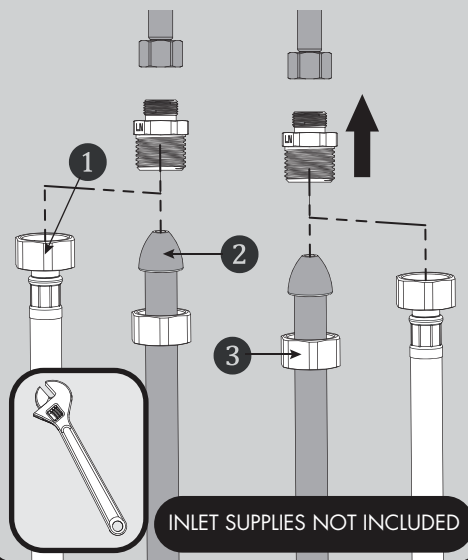
**3** Slide Easy Mount Nut (1) upwards until it makes contact with the underside of mounting surface. Rotate by hand to final tighten.



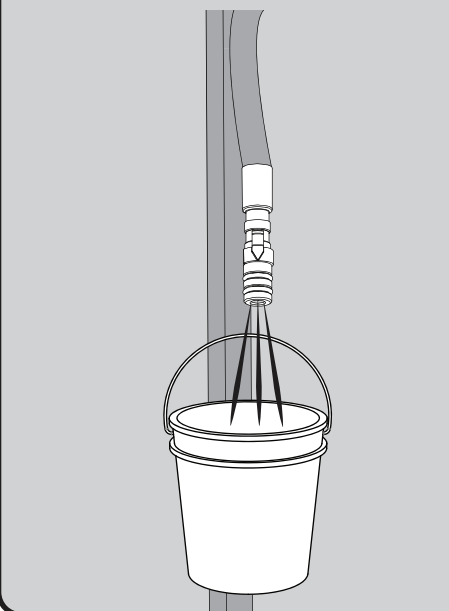
**4** Make connections to water supplies. The inlet threads of the faucet are 9/16"-24 UNF and will accept a 3/8" Compression Fitting. Wrench Tighten. Do not over-tighten.



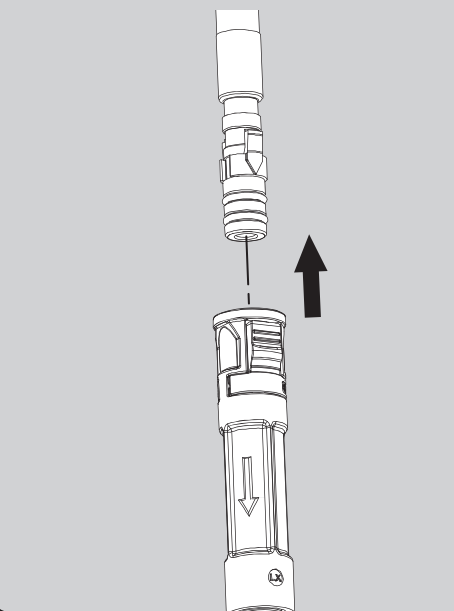
**5** If water supply is 1/2" Compression, use the provided adapter and 1/2" IPS faucet connections (not supplied) (1) or use the supplied coupling nuts (3) with 3/8" O.D. ball nose risers (not supplied) (2). Use wrenches to tighten connections. Do not over-tighten.



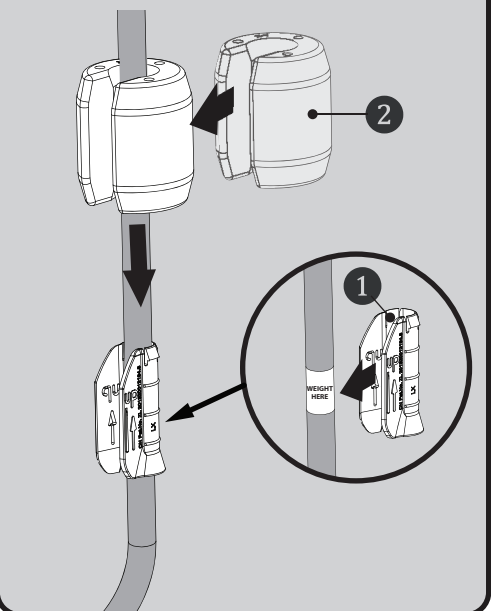
**6** Place the spray hose (exiting from base of faucet) into a bucket. Turn ON water supplies. Flush both HOT and COLD water for 1 minute into the bucket.



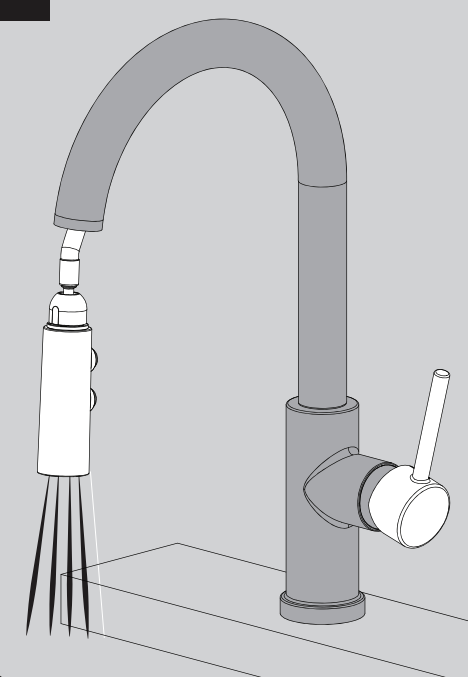
**7** Turn OFF water supplies. Connect the spray hose to the outlet hose. This is a push to connect connection. Make sure to push the hose completely into the outlet fitting.

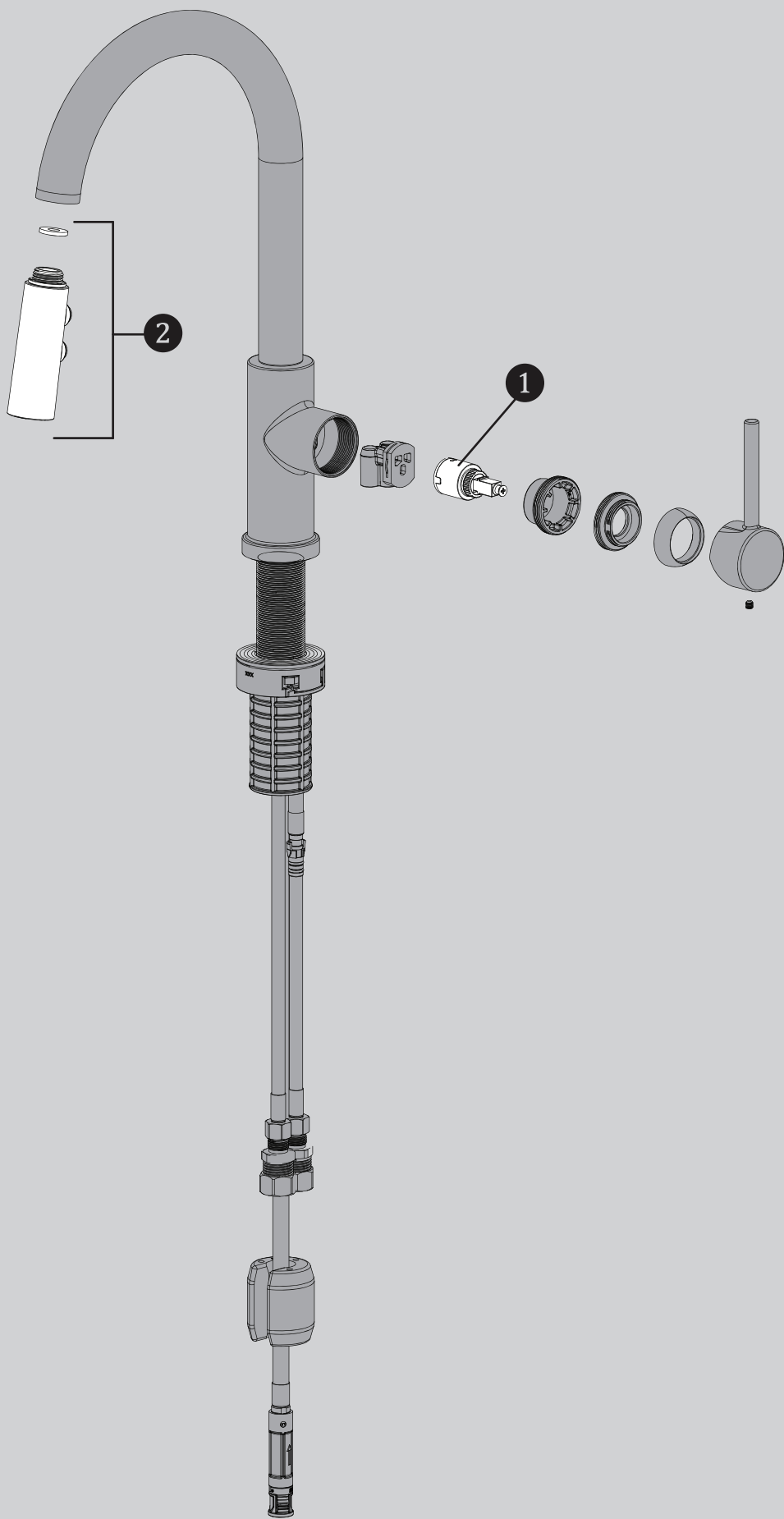


**8** • Install the Weight Clip (1) at the point of the hose marked "Weight Here".  
• Insert the Weight (2) onto the Clip (1) by sliding it down onto the Clip (1).



**9** Turn ON water supplies and check for leaks.





ITEM NO.	PART NO.	DESCRIPTION
1	RPG05-108762	CARTRIDGE
2	RPG05-112989-XX (XX=FINISH)	SPRAYHEAD ASSEMBLY WITH SEAL

NOTES:

COMPLIANCE:

- ASME A112.18.1/CSA B125.1
- NSF/ANSI 61
- NSF/ANSI 372
- CEC (CALIFORNIA ENERGY COMMISSION)

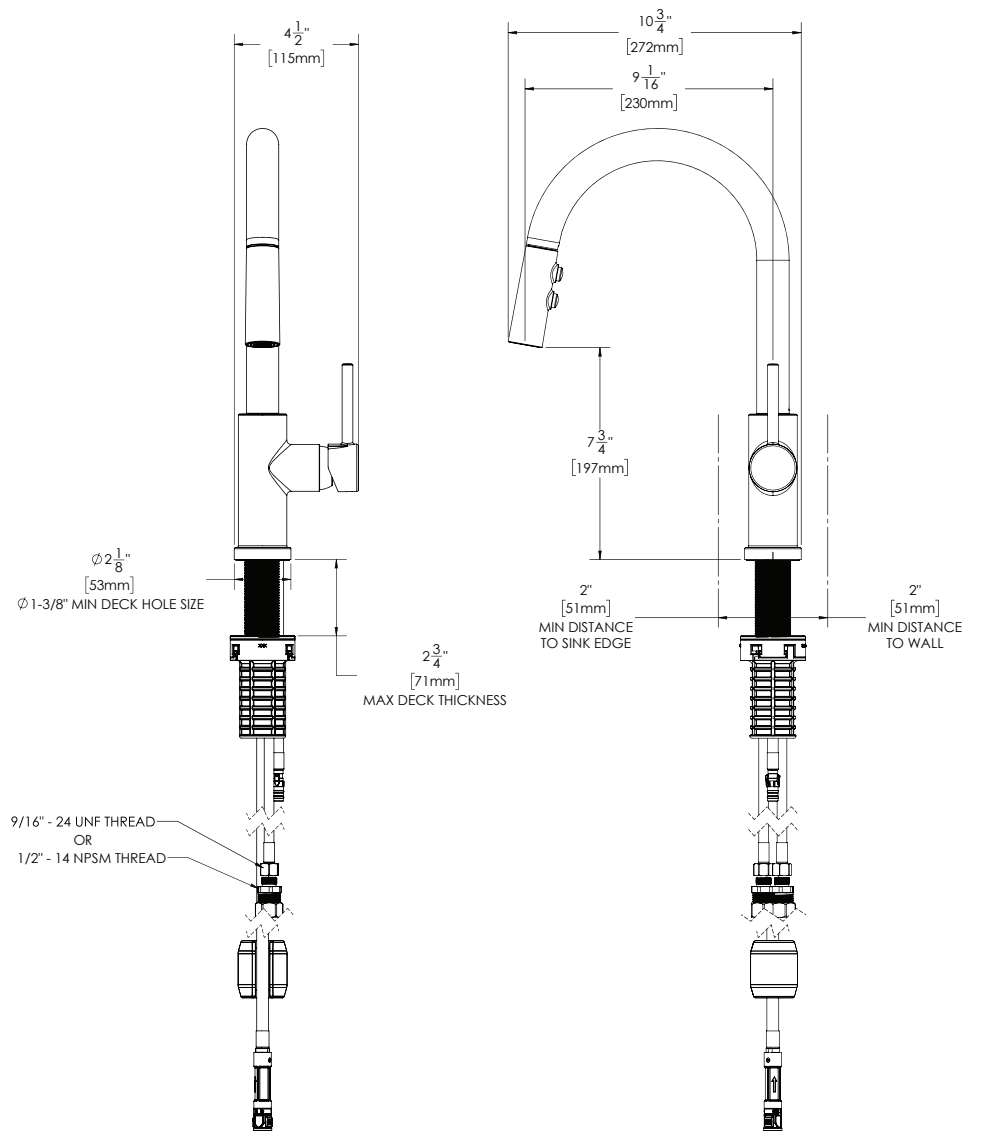
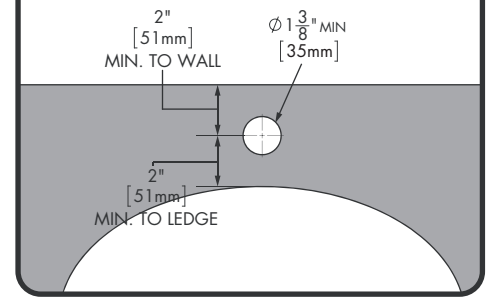
FLOW DATA:

- 1.8 gpm (6.8L/min)

CONNECTIONS:

Supply Connection:  
 1/2"-14 NPSM-2A Connection or  
 9/16"-24 UNF Connection  
 (3/8" Compression)

KITCHEN ROUGH-IN



ALL DIMENSIONS ARE IN INCHES (MILLIMETERS) UNLESS OTHERWISE SPECIFIED. DIMENSIONS SUBJECT TO CHANGE WITHOUT NOTICE.